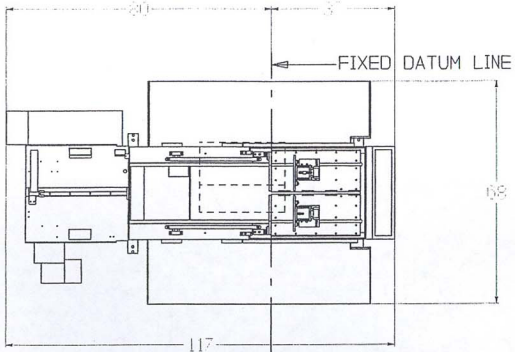


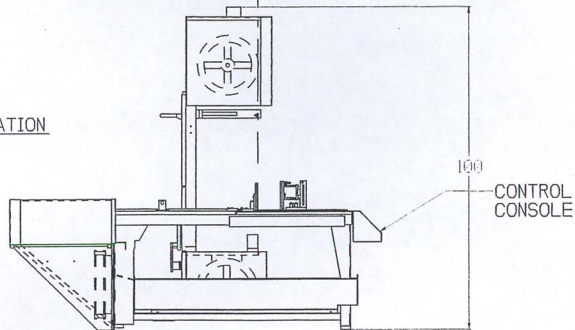
NOTE: HEM INC. WHOSE POLICY IS ONE OF CONTINUOUS IMPROVEMENTS,
RESERVES THE RIGHT TO CHANGE SPECIFICATIONS, PRICE OR DESIGN
AT ANY TIME WITHOUT NOTICE AND WITHOUT INCURRING OBLIGATIONS
ALL DIMENSIONS +/- 100'

ALL DIMENSIONS ARE REFERENCE ONLY.
VERIFY ALL DIMENSIONS TO 'AS BUILT'
CONFIGURATION.

PLAN VIEW

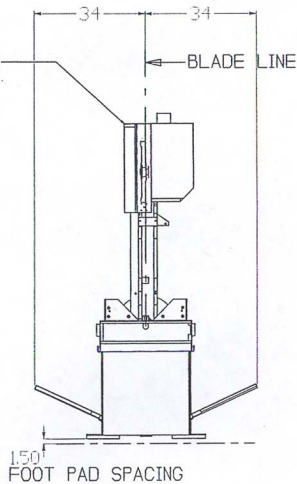


SIDE ELEVATION



HEM V100LM-3
BANDSAW

FRONT ELEVATION



HEM, INC.	
MID-AMERICA INDUSTRIAL DISTRICT P.O. BOX 1148 PRYOR, OK 74361	
H0014102	PLANVIEW
V100LM-3	
B-006516-499 A	