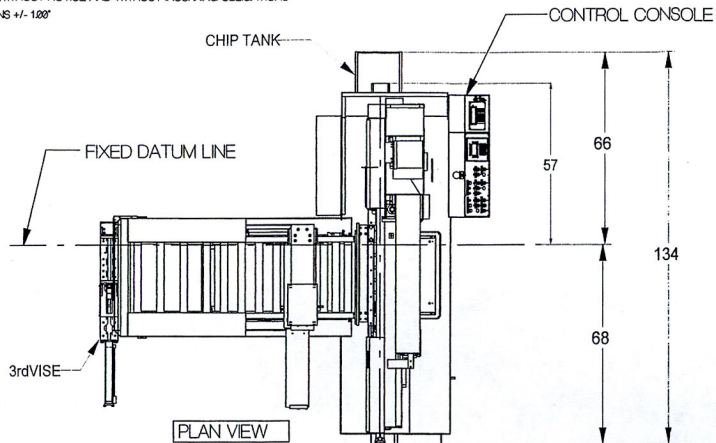
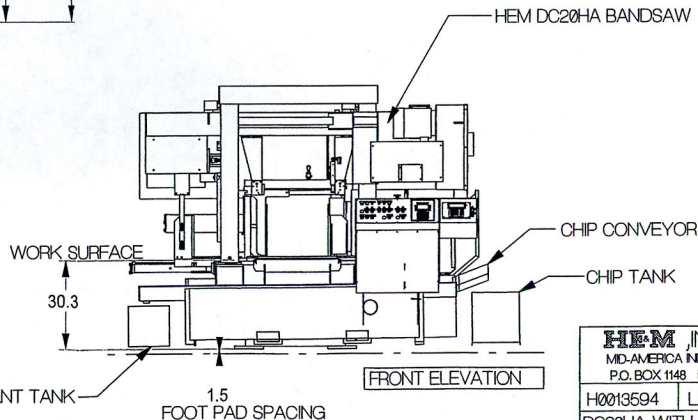
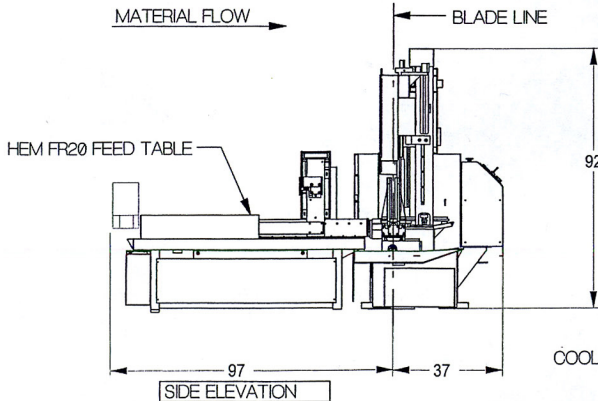


NOTE: HEM INC. WHOSE POLICY IS ONE OF CONTINUOUS IMPROVEMENTS,  
RESERVES THE RIGHT TO CHANGE SPECIFICATIONS, PRICE OR DESIGN  
AT ANY TIME WITHOUT NOTICE AND WITHOUT INCURRING OBLIGATIONS  
ALL DIMENSIONS +/- .120"



NOTE:  
ALL DIMENSIONS ARE FOR REFERENCE ONLY.  
VERIFY ALL DIMENSIONS TO  
AS BUILT SPECIFICATIONS.



<b>HEM</b> INC.	
MID-AMERICA INDUSTRIAL DISTRICT	
P.O. BOX 1148 PRYOR, OK. 74381	
H0013594	LAYOUT
DC20-1A WITH FR20 FEED	
B-06516-455 B	